

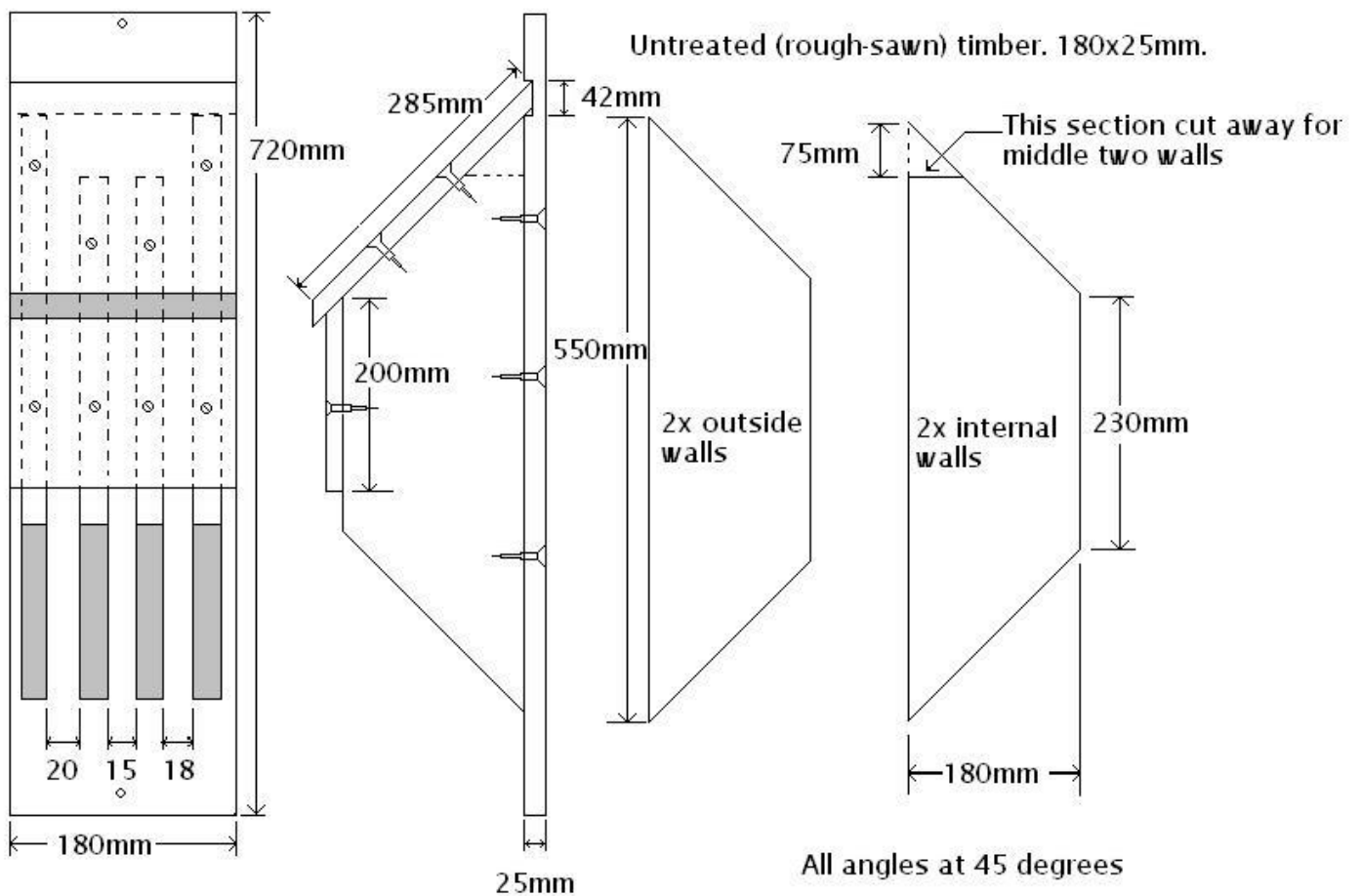
# Design for a slot bat box

The slot bat box was designed to imitate niches where crevice dwelling bats might roost; such as a split in a tree trunk or behind loose bark. In this design the roof has been screwed down and does not allow the bats to be removed from the box. By replacing the screws with nails that push into suitably sized holes, the roof could be removed. Alternatively, a tight rubber strap could be stretched over the roof and stretched between suitable fixings on each side wall. The open bottom allows droppings to fall from the box and negates the need to clear them.

The three vertical 'slots' each of a different width, offers a choice that several species of bat, depending on their size, might use. The upper section of the two partition walls have been cut away to allow bats an area to cluster, conserve energy and breed.

These simple drawings are all you need to build one yourself.

*All the timber used is untreated, rough-sawn 180mm x 25mm.*



To date, at least seven (possibly eight) species have been recorded using them including, Barbastelle, Leisler's, Common pipistrelle, Soprano pipistrelle, Brown long-eared, Natterer's and Whiskered (confirmed), and possibly Brandt's.



A slot bat box.  
*Photo by Johnny Birks.*